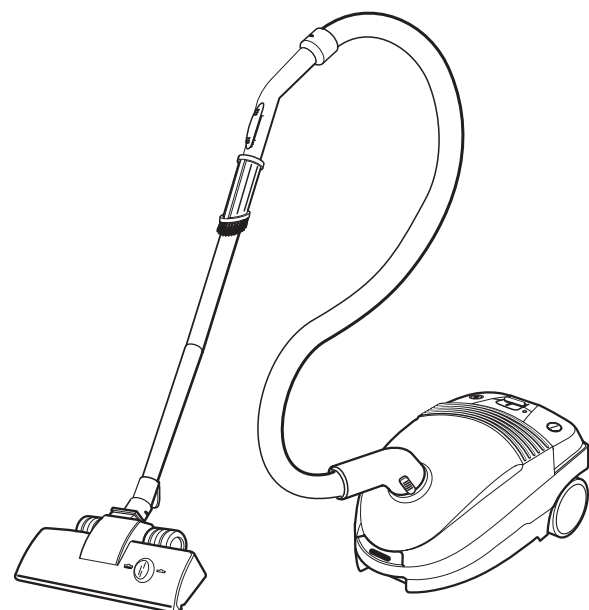

SAVE THIS USE AND CARE BOOK
CONSERVE ESTE INSTRUCTIVO
GUARDE ESTAS INSTRUÇÕES

WINDMERE™

CANISTER VACUUM CLEANER (Pages 1-8)

ASPIRADORA (Páginas 9-17)

ASPIRADOR (Pagina 18-26)



HOUSEHOLD USE ONLY

PARA USO DOMESTICO SOLAMENTE

SOMENTE PARA USO DOMÉSTICO

MODEL/MODELO/MODELO V1000

IMPORTANT SAFEGUARDS

- **READ THIS MANUAL BEFORE ASSEMBLING OR USING YOUR VACUUM CLEANER.**
- Use your cleaner only as described in this manual. Use only with SMC recommended attachments.
- To reduce the risk of electric shock, do not use it outdoors or on wet surfaces.
- Disconnect electrical supply before servicing or cleaning out brush area. Failure to do so could result in electrical shock or cause brush to start suddenly.
- Always turn cleaner off before connecting or disconnecting the hose or power brush.
- Always turn cleaner off before unplugging.
- Do not unplug by pulling on cord. To unplug, grasp the plug, not the cord.
- Hold plug when rewinding into cord reel. Do not allow plug to swing when rewinding.
- Do not use with damaged cord or plug. If cleaner is not working as it should, has been dropped, damaged, left outdoors, or dropped into water, have it serviced immediately.
- Do not use cord as a handle, or pull cord around sharp edges or corners.
- Do not run cleaner over cord. Keep cord away from heated surfaces.
- Do not allow to be used as a toy. Close attention is necessary when used by or near children.
- Do not handle plug or cleaner with wet hands.
- Do not operate cleaner with a punctured hose. Replace if cut or worn.
- Keep free of dust, lint, hair and anything that may reduce airflow.
- Keep hair, loose clothing, fingers, and all parts of body away from openings and moving parts.
- Do not use cleaner without dust bag and filter in place. Always clean the dust bag after vacuuming carpet cleaners or fresheners powders and fine dust. These products clog the bag, reduce airflow and can cause the bag to burst. Failure to change could cause permanent damage to the cleaner.
- Do not use the cleaner to pick up sharp, hard objects, small toys, pins, paper, etc. They may damage the cleaner or dust bag.
- Do not pick up anything that is burning or smoking, such as cigarettes, matches, or hot ashes.
- Do not use cleaner to pick up flammable or combustibles liquids (gasoline, cleaning fluids, perfumes, etc.), or use in areas where they may be present. The fumes from these substances can create a fire hazard or explosion.
- Use extra care when cleaning on stairs. Do not put it on chairs, tables, etc. Keep it on floor.
- You are responsible for making sure that your vacuum cleaner is not used by anyone unable to operate it properly.

SAVE THESE INSTRUCTIONS

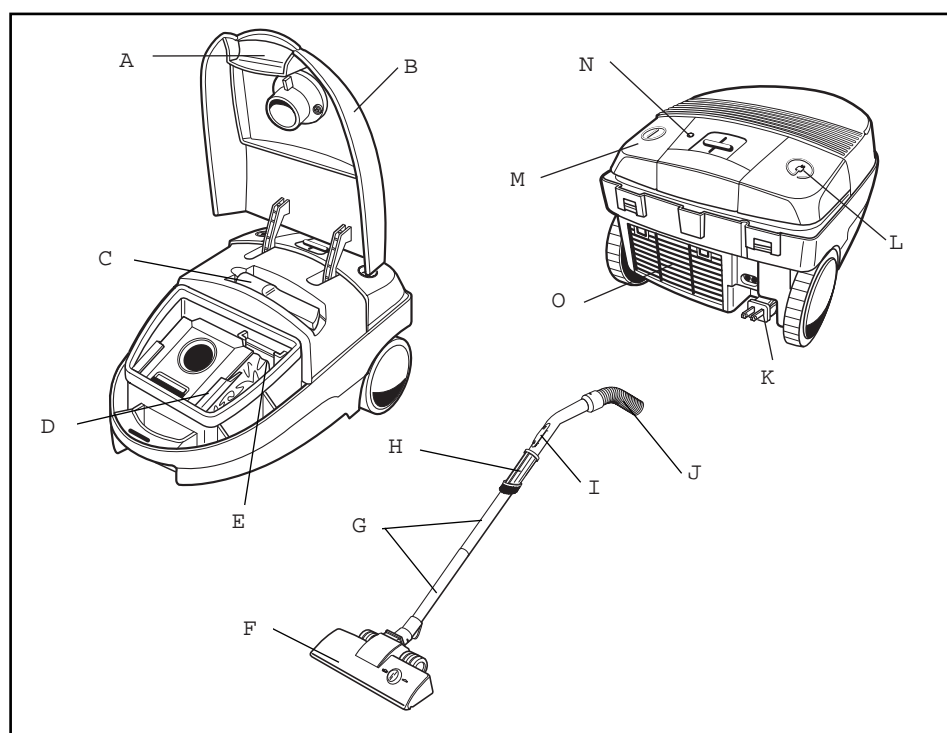
1

PARTS AND FEATURES

NOTE: REVIEW THIS MANUAL BEFORE USING VACUUM CLEANER.

CHECKLIST:

- Canister
- Hose with nozzle handle
- 2 metal extension tubes
- Carpet/Floor nozzle
- 1 cloth dust bag
- 2 double filters
- Crevice tool attachment
- Dusting brush attachment
- Shoulder strap
- Warranty card and mail order form



- | | |
|--------------------------|-------------------------------------|
| 1. Hood Release | 8. Dusting Brush |
| 2. Canister Cover | 9. Suction Regulator |
| 3. Crevice Tool | 10. Hose Connected to Nozzle Handle |
| 4. Dust Bag Holder | 11. Power Cord & Plug |
| 5. Double Filter | 12. Automatic Cord Rewinder |
| 6. Carpet/Floor Nozzle | 13. Power On/Off Switch/Pedal |
| 7. Metal Extension Tubes | 14. Dust Bag Full Indicator |
| | 15. Double Filter (Inside) |

2

HOW TO USE

This appliance is for HOUSEHOLD USE ONLY and may be plugged into any electrical outlet (ordinary household current) of the appropriate configuration.

LINE CORD SAFETY TIPS

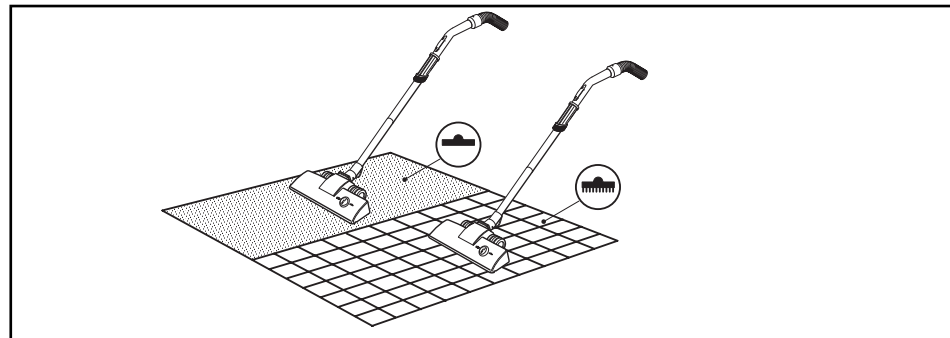
1. Never pull or yank on cord or the appliance.
2. To insert plug, grasp it firmly and guide it into outlet.
3. To disconnect appliance, grasp plug and remove it from outlet.
4. Before each use, inspect the line cord for cuts and/or abrasion marks. If any are found, this indicates that the appliance should be serviced and the line cord replaced. Please return it to our Service Department or to an authorized service representative.
5. Never wrap the cord tightly around the appliance, as this could place undue stress on the cord where it enters the appliance and cause it to fray and break.

DO NOT OPERATE APPLIANCE IF THE LINE CORD SHOWS ANY DAMAGE, OR IF APPLIANCE WORKS INTERMITTENTLY OR STOPS WORKING ENTIRELY.

If the supply cord is damaged, it must be replaced by the manufacturer or its service agent or similarly qualified person in order to avoid a hazard.

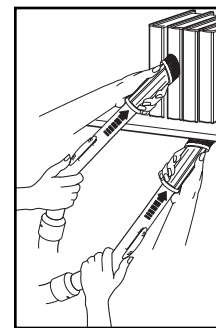
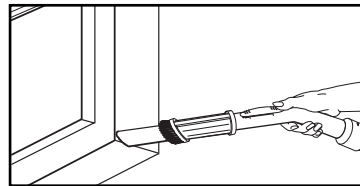
USING CARPET/FLOOR NOZZLE

The carpet/floor nozzle is constructed to allow constant contact with surfaces to be vacuumed and for easy cleaning under furniture. Press the switch on the carpet/floor nozzle for cleaning between smooth surfaces and carpeted floor.



USING DUSTING BRUSH ATTACHMENT

1. Install dusting brush onto the nozzle handle by sliding it back until the locking tab locks into position.
2. To vacuum with nozzle handle, pull back the dusting brush. Use the nozzle handle for vacuuming baseboards, radiators and other hard to reach areas.
3. To vacuum with the dusting brush, slide the brush down and turn it to the appropriate position for vacuuming armchairs, chairs and bookshelves.



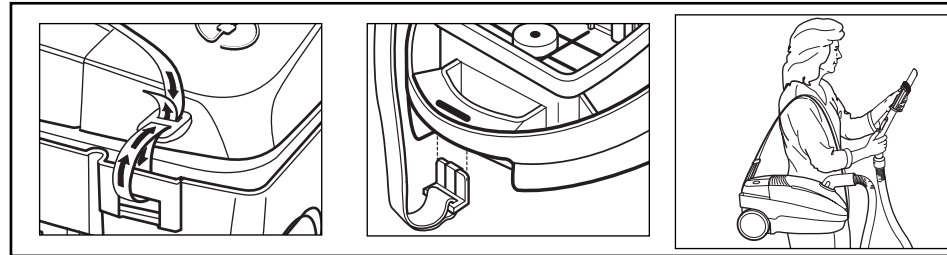
3

USING CREVICE TOOL ATTACHMENT

Insert the nozzle handle into the crevice tool. Use the crevice tool for vacuuming sliding door tracks.

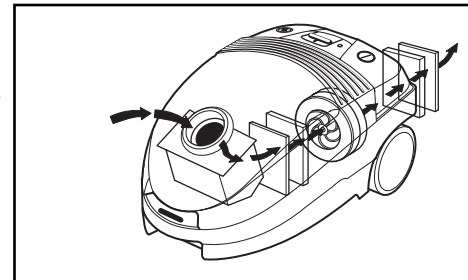
USING SHOULDER STRAP

The canister can also be carried around by using the shoulder strap and securing the clips of the strap around the body. To avoid dropping the unit, it is important to carry the vacuum cleaner in a horizontal position.



FILTRATION SYSTEM

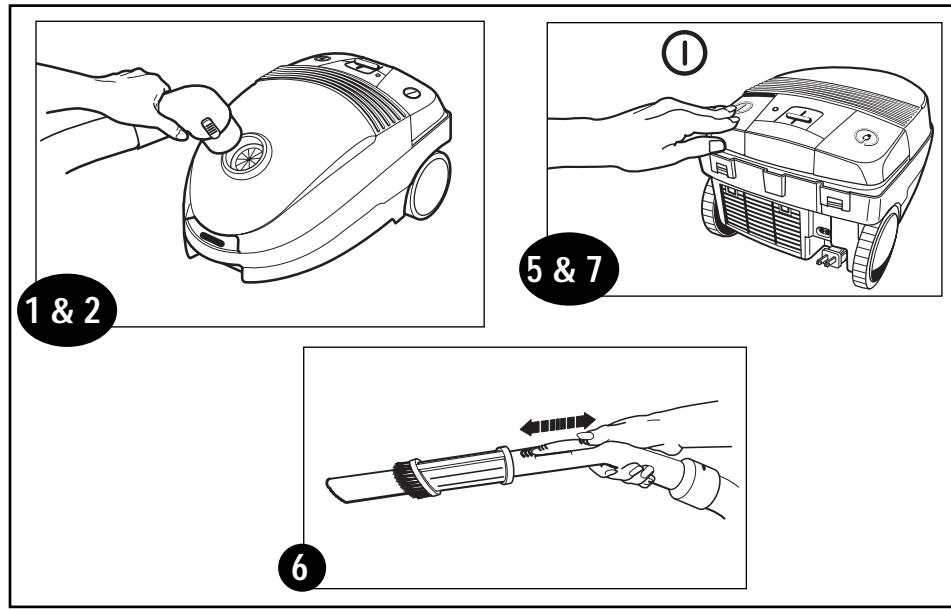
The 5-stage filtration system includes: a cloth dust bag (that serves as a filter), 1 double filter inside the compartment in the cloth dust bag area, and 1 double filter inside the back grille of the canister. The filters protect the motor so that dust does not get into it.



ASSEMBLY AND OPERATION

1. Connect the metal extension tubes, the floor nozzle and the hose.
2. To connect the hose to the canister, line up the hose and push in the latch tab. Insert hose into canister until it snaps into place. To remove, press hose latch tabs inward and pull up on hose. See figures 1 & 2 on page 5.
3. After assembling all parts, make sure dust bag and filters are properly installed. See Maintenance Instructions section.
4. Pull out the power cord and plug it into the power outlet.
5. Press the power switch/pedal and start to vacuum. See figures 5 & 7 on page 5.
6. Adjust the desired suction level for different surfaces by using the suction regulator, see figure 6 on page 5.
7. Press the power switch/pedal to turn off the vacuum cleaner; press it again to resume power.

4



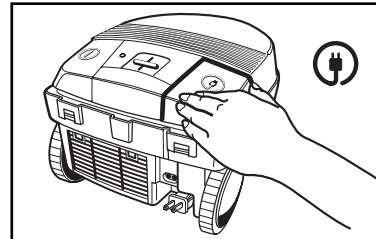
MAINTENANCE INSTRUCTIONS

This appliance requires little maintenance. It contains no user-serviceable parts. Do not try to repair it yourself. Refer it to qualified personnel if servicing is needed.

Always switch off and unplug unit after using. Rewind the cord by pressing the automatic cord rewinder switch/pedal.

WARNING:

- The cord moves rapidly when rewinding. Keep children away, and provide a clear path when rewinding the cord to prevent personal injury.
- DO NOT use outlets above counters. Damage to items in surrounding area could occur.
- Disconnect electrical supply before servicing or cleaning the unit. Failure to do so could result in electric shock or personal injury.



CLEANING INSTRUCTIONS

CLEANING DUST BAG

Whenever the dust bag full indicator light glows, check whether airflow is blocked or whether the bag is full and needs cleaning. For the best cleaning performance, clean the dust bag regularly.

1. Switch off and unplug unit from wall outlet.
2. Press hood release and lift canister cover.
3. Disengage dust bag from mounting bracket by pulling up the plastic frame to release it from the locking tabs then slide it out.
4. Remove plastic clip at the top end of the bag.

5. After cleaning, install the dust bag. Make sure the 2 holes on the plastic frame are facing down and slide the plastic frame until it locks in place. Tuck the back end of the bag down.

6. Close the canister cover.

CAUTION

- Fine materials, such as carpet freshener, face powder, fine dust and plaster can clog the bag and cause it to burst before it is full. Clean the bag more often when vacuuming these materials.

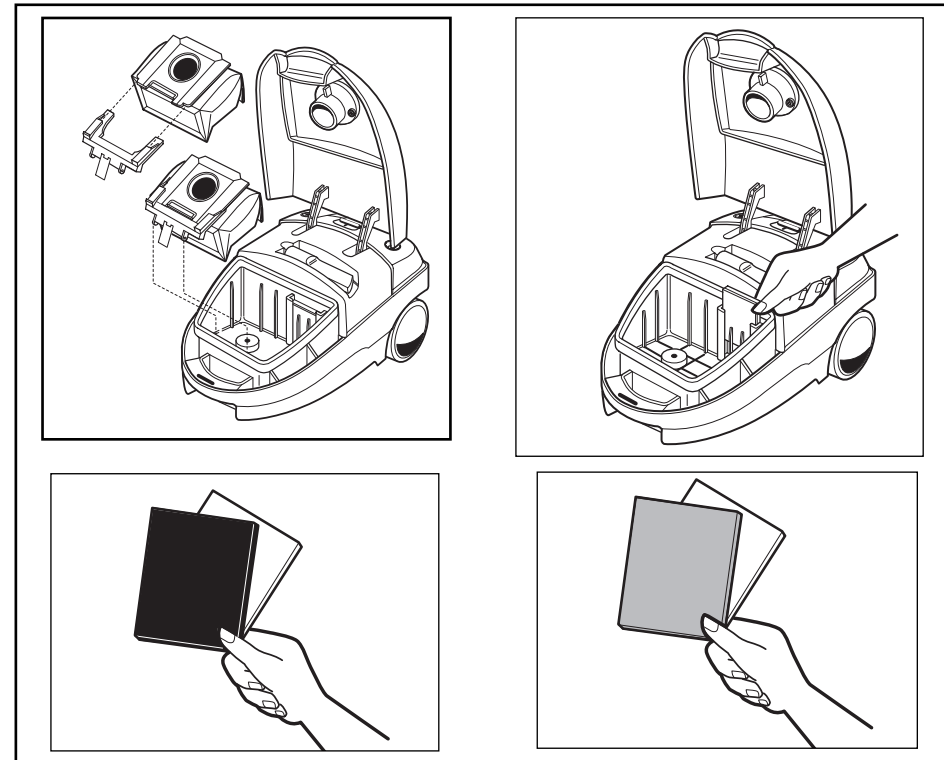
CLEANING UNIT

Clean the casing, the metal extension tubes and the accessories with a damp cloth, and wipe dry. Clean the dust bag whenever is full. The motor protection and exhaust air filters should be checked, cleaned and replaced regularly.

CHANGING FILTERS

1. Turn off the power and remove the dust bag.
2. Grasp filters gently, and pull them out.
3. Wash filters in warm, soapy water; then rinse and air dry. (Replace the foam after a few washes, as it will lose its dust-trapping ability.)
4. Replace filter in canister.
5. Insert dust bag.

WARNING: Do not operate the cleaner without properly installed filters and dust bag.



STORING UNIT:

Stand the canister upright and slide the spur of the carpet/floor nozzle into the nozzle holder. Now the unit can be carried to a dry, cool, safe place where it can be stored easily. DO NOT place it directly under the sun.

TROUBLESHOOTING

PROBLEM	POSSIBLE CAUSE	POSSIBLE SOLUTION
Cleaner won't start	Not plugged	Plug in firmly, press On/Off switch/pedal.
Poor dirt pick up	<ol style="list-style-type: none"> 1. Full or clogged dust bag 2. Clogged airflow passages 3. Dirty motor safety filter 4. Open suction control 5. Hole in hose 6. Canister cover open 	<ol style="list-style-type: none"> 1. Clean dust bag. 2. Clean airflow passages. 3. Clean filter. 4. Adjust control. 5. Replace hose. 6. Close and latch hood.
Cleaner starts but cuts off	Loss of electrical connections	Check electrical connection and plug in.
Dust bag full indicator glows	<ol style="list-style-type: none"> 1. Full or clogged dust bag 2. Dirty motor safety filter 3. Blocked airflow passage 	<ol style="list-style-type: none"> 1. Clean dust bag. 2. Clean filter. 3. Clear blockage.
Cord won't rewind	<ol style="list-style-type: none"> 1. Dirty power cord 2. Cord jammed 	<ol style="list-style-type: none"> 1. Clean the power cord. 2. Pull out cord and rewind.

NEED HELP?

Service, if necessary, must be performed by Household Products, Inc. or Authorized Household Appliance Service Center. The Service Center nearest you can be found in the yellow pages of your phone book under "Appliances - Small."

If mailing or shipping your unit, pack it carefully in a sturdy carton with enough packing material to prevent damage. Include a note describing the problem to our Service Center and be sure to give your return address. We also suggest that you insure the package for your protection.

ONE-YEAR WARRANTY

Household Products, Inc. warrants this product against any defects that are due to faulty material or workmanship for a one-year period after the original date of consumer purchase. This warranty does not include damage to the product resulting from accident or misuse, or repairs performed by non-authorized repair shops. If the product should become defective within the warranty period, we will repair it or elect to replace it free of charge. To honor this warranty, the product with the corresponding registration card and/or receipt/proof of purchase are required. This warranty gives you specific legal rights and you may also have other rights which vary from state to state or province to province. For answers to any questions, contact your nearest Household Products, Inc. or Authorized Household Appliance Service Center.

For the nearest service center, please see the appropriate address below.

ARGENTINA

Avenida Maipu 3850
1636 Olivos, Buenos Aires
Tel.: 0-800-8-1221

COLOMBIA

Carrera 38 No. 166-64
Santa Fe de Bogota
Tel.: 571-677-7496

COSTA RICA

Calle 20 entre Avenida 1 y 3
San José
Tel.: 506-221-6100

CHILE

Agustinas 2718
Santiago
Tel.: 562-687-1700

ECUADOR

Manuel Larrea 726 y Bogota
Quito
Tel.: 593-256-8551

EL SALVADOR

27 Calle Poniente y 25 Ave.
Norte No. 1510
San Salvador
Tel.: 503-226-0022

GUATEMALA

6 Ave. 12-27 Zona 9
Ciudad de Guatemala
Tel.: 502-232-5705

MÉXICO

Lázaro Cárdenas #18
Col. Obrera
Delegación Cuatémoc
06800 México, D.F.
Tel.: 91-800-50-833
588-93-77

• VERACRUZ

Prolongación Días Mirón #4280
(entre Violetas y Magnolias)
Col. Remes
91920 Veracruz, Ver.
Tel.: (91-29) 21-70-16

• PUEBLA

17 Norte #205
72000 Puebla, Pue
Tel.: (91-22) 46-37-26

• TORREÓN

Blvd. Independencia 95 Pte.
27000 Torreón, Coal
Tel.: (91-17) 16-52-65

• MÉRIDA

Calle 63 #459-A
(entre 50 y 52)
97000 Mérida, Yuc.
Tel.: (91-99) 23-54-90

• COATZACOALCOS

Corregidora #406
96400 Coatzacoalcos, Ver.
Tel.: (91-92) 12-13-80

• GUADALAJARA

Av. Vallarta #4901-A
Col. Prados Vallarta
45020 Zapopan, Jal.
Tel.: (91-36) 73-28-15

• QUARÉTARO

Av. Madero 139, Pte.
76000 Querétaro, Qro.
Tel.: (91-42) 14-16-60

• SAN LUÍS POTOSÍ

Pedro Moreno #100
Col. Centro
78000 San Luis Potosí, S.L.P.
Tel.: (91-48) 14-25-67

• VILLAHERMOSA

Av. Constitución #516-A
86000 Villahermosa, Tabasco
Tel.: (91-93) 12-51-11

• MONTERREY

Av. Fco. I. Madero Pte. 1820-AA
Zona Centro
64000 Monterrey, N.L.
Tel.: (91-83) 72-14-76

• CULIACÁN

Av. Nicolás Bravo #1063
80000 Culiacán, Sin.
Tel.: (91-57) 12-42-10

PANAMA

Vía Brazil y Ave.
Samuel Lewis #31
Ciudad de Panama
Tel.: 507-264-2243

PERU

Calle Omega 225-231
Parque Industrial Caltao 1
Lima
Tel.: 511-451-9505

PUERTO RICO

Calle C#14
Rexco Industrial Park
Caparra Heights Station
San Juan, P.R. 00334
Tel.: 1-800-347-5117

VENEZUELA

Edif. Xerox, Piso 6
Av. Libertador, Urb. Bello Campo
Caracas
Tel.: 582-267-0590

INSTRUCCIONES DE SEGURIDAD

- **LEA ESTE MANUAL ANTES DE ENSAMBLAR O UTILIZAR SU MÁQUINA ASPIRADORA.**
- Utilice su aspiradora solamente cómo se describe en este manual. Utilice únicamente los aditamentos recomendados por SMC.
- Para reducir el riesgo de choques eléctricos - no deberá utilizarse la máquina a la intemperie o sobre superficies mojadas.
- Siempre debería desconectarse de la energía eléctrica antes de darle servicio o de limpiar la zona de los cepillos. De lo contrario, se corre el riesgo de choques eléctricos o de que los cepillos arrancasen por sí solos repentinamente.
- Siempre apague la aspiradora antes de conectar o desconectar la manguera o el cepillo de potencia.
- Siempre apague la máquina antes de desconectarla.
- Nunca desconecte la máquina tirando del cable de conexión de la energía eléctrica. Para desconectar, tire de la clavija tomacorriente más no del cable.
- Detenga la clavija tomacorriente cuándo se está enrollando el cable en el carrete para el cable. No permita que la clavija tomacorriente se balancee al estar enrollando el cable.
- Nunca utilice la máquina si estuviera dañado el cable o el tomacorriente. Si la máquina no trabajase debidamente, se hubiese caído o dañado o se hubiese dejado a la intemperie o se hubiese mojado, deberá dársele servicio mecánico calificado inmediatamente.
- Nunca utilice el cable de conexión como asa ni tire del cable alrededor de bordes afilados o esquinas.
- No permita que la aspiradora pase por encima del cable de conexión. Mantenga el cable alejado de las superficies calientes.
- No permita que se use la máquina como un juguete. Se deberá prestar mucha atención cuándo los niños estuviesen cerca de la máquina o la estuvieran utilizando.
- No debería manejarse la clavija tomacorriente o la aspiradora con las manos mojadas.
- Nunca utilice su aspiradora si la manguera estuviera perforada. La manguera pudiese incluir cables eléctricos. Siempre reemplacen si es que tuviese alguna cortadura o si se hubiese desgastado.
- Conserve la manguera libre de polvo, hilachas, pelos o de cualquiera otra cosa que pudiese reducir el flujo de aire.
- Mantenga el pelo, la ropa suelta, los dedos y todas las partes del cuerpo alejadas de las aperturas o de las piezas móviles.
- Nunca utilice la aspiradora sin haber instalado los filtros o la bolsa de basura. Siempre limpie la bolsa después de haber aspirado limpiadores de alfombras o desodorantes, polvo o basuras muy finas. Estos productos obstruyen a la bolsa de basura, reducen el flujo de aire y pueden hacer que la bolsa se reviente. Se pueden causar daños permanentes a la aspiradora si es que no se reemplazara la bolsa de basura.
- Nunca utilice la aspiradora para absorber objetos afilados duros, juguetes pequeños, alfileres, papel, etc. Estos pudiesen dañar a la aspiradora o a la bolsa de basura.

- Nunca absorba cosas que estén ardiendo o humeando, como serían los cigarrillos, fósforos o cenizas calientes.
- Nunca utilice la aspiradora para absorber líquidos combustibles o inflamables (gasolina, líquidos limpiadores, perfumes, etc.) y nunca la utilice en lugares donde esos productos pudiesen estar presentes. Los humos de estas sustancias pueden crear peligro de incendio o de explosión.
- Tenga mucho cuidado al estar limpiando en escaleras. No coloque la aspiradora sobre sillas, mesas, etc. Siempre deposítela en el suelo.
- Usted es responsable de asegurarse que su máquina no sería utilizada por nadie que estuviese imposibilitado de manejarla correctamente.

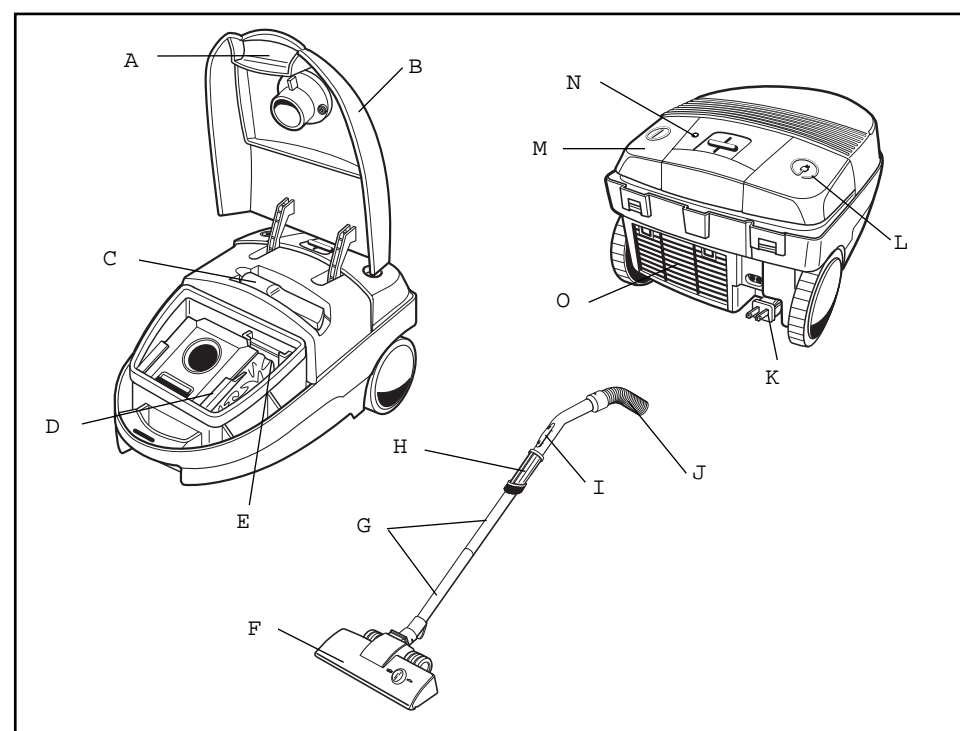
CONSERVE ESTAS INSTRUCCIONES

PARTES Y CARACTERÍSTICAS

NOTA: REVISE ESTE MANUAL ANTES DE USAR LA ASPIRADORA.

LISTA DE VERIFICACIÓN:

- Tanque
- Manguera con mango y boquilla
- 2 tubos de extensión de metal
- Boquilla para la alfombra y piso
- 1 bolsa de tela para el polvo
- 2 filtros dobles
- Aditamento para limpiar los rincones
- Cepillo como aditamento
- Correa para el hombro
- Tarjeta de la garantía y formulario para ordenar



- | | |
|---|--|
| 1. Gancho liberador de la cubierta | 8. Cepillo |
| 2. La cubierta | 9. Control de succión |
| 3. Aditamento para limpiar los rincones | 10. Manguera conectada al mango de la boquilla |
| 4. Montura para la bolsa | 11. Cordón y enchufe |
| 5. Filtro doble | 12. Eurorollador automático del cordón |
| 6. Boquilla para pisos | 13. Interruptor/Pedal de Encendido/Apagado |
| 7. Tubos de extensión de metal | 14. Punto que indica que la bolsa está llena |
| | 15. Filtro doble (adentro) |

11

COMO USAR

Este artefacto es para uso doméstico solamente y puede ser enchufado en cualquier tomacorriente de corriente alterna de 230V de la configuración apropiada.

SUGERENCIAS PARA SEGURIDAD CON EL CORDON

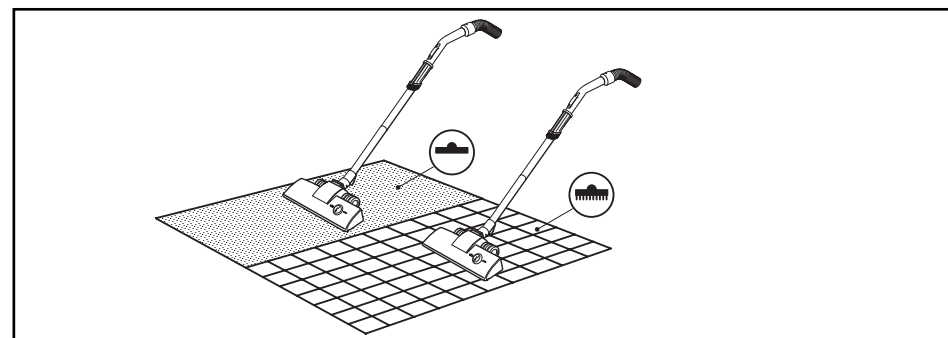
1. Nunca hale o tire del cordón o del artefacto.
2. Para introducir el enchufe, sujételo firmemente y guíelo hacia el tomacorriente.
3. Para desconectar el artefacto, sujete el enchufe y retírelo del tomacorriente.
4. Antes de cada uso, inspeccione el cordón si tiene cortes y/o raspaduras. Si algo fuera encontrado, esto indica que el artefacto deberá ser revisado y el cordón deberá ser reemplazado. Por favor, devuélvalo a nuestro Departamento de Servicio o a un representante de servicio autorizado.
5. Nunca enrolle el cordón ajustadamente alrededor del artefacto, ya que esto podría causar una presión excesiva en el cordón donde éste entra al artefacto y causar desgaste y rotura.

NO HAGA FUNCIONAR EL ARTEFACTO SI EL CORDON MUESTRA CUALQUIER DAÑO, O SI EL ARTEFACTO FUNCIONA INTERMITENTEMENTE O DEJA DE FUNCIONAR COMPLETAMENTE.

Si el cordón estuviera dañado, deberá ser reemplazado por el fabricante o su agente de servicio o por una persona calificada para evitar un peligro.

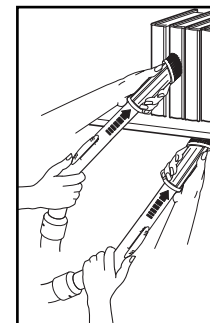
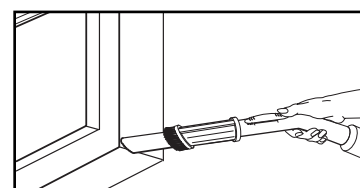
COMO USAR LA BOQUILLA PARA LA ALFOMBRA Y PISO

La boquilla para la alfombra y el piso está hecha para permitir el constante contacto con superficies que son aspiradas y para limpiar fácilmente debajo de los muebles. Presione el interruptor en la boquilla para la alfombra y el piso para limpiar entre las superficies suaves y pisos alfombrados.



COMO USAR EL CEPILLO

1. Instale el cepillo para el polvo en la boquilla del mango deslizándolo hasta que las lengüetas para asegurar encajen en posición.
2. Para aspirar con la boquilla, saque el cepillo. Use la boquilla para aspirar los zócalos, radiadores y otras áreas difíciles de alcanzar.
3. Para aspirar con el cepillo, deslícelo hacia abajo y dele vuelta hasta la posición apropiada para aspirar los brazos de las sillas, sillas y libreros.



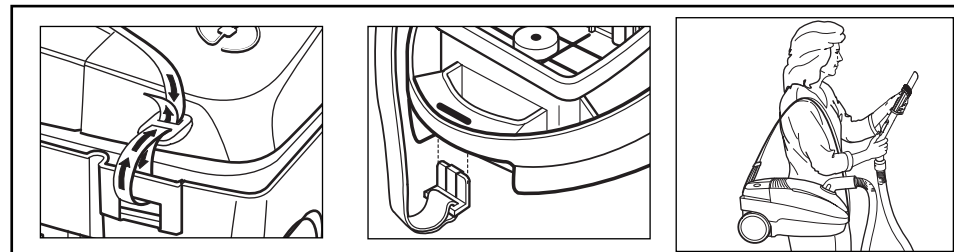
12

COMO USAR EL ADITAMENTO PARA LIMPIAR EN LOS RINCONES

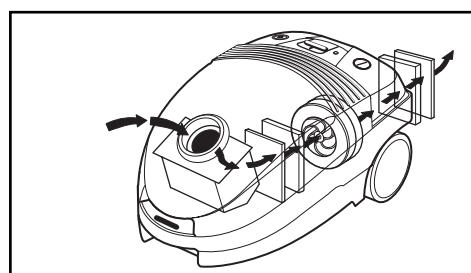
Introduzca la manguera con boquilla en el aditamento para limpiar en los rincones. Use este aditamento para aspirar en los carriles de las puertas corredizas.

COMO USAR LA CORREA PARA EL HOMBRO

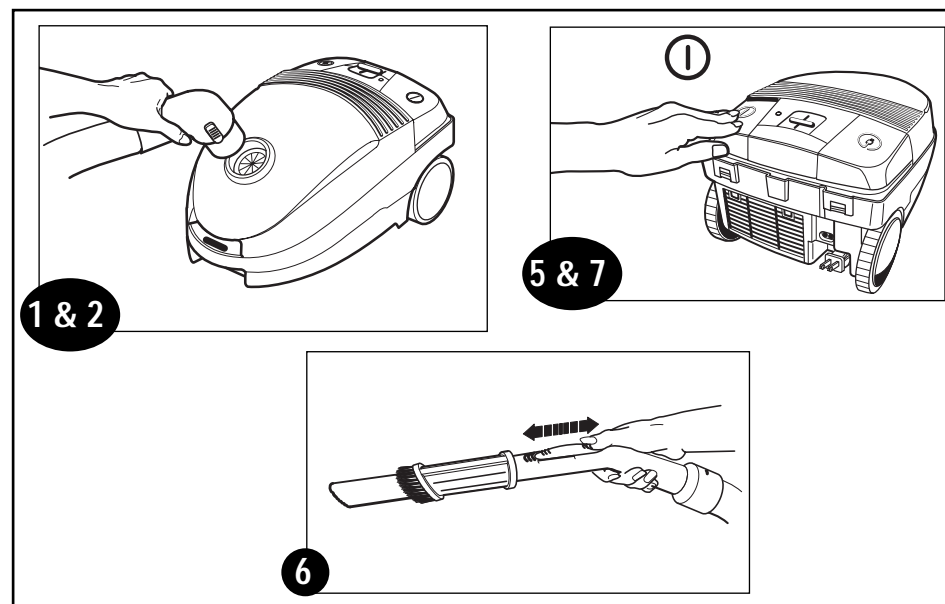
El recipiente metálico puede ser transportado mediante la correa para el hombro. Para evitar que la máquina se fuese a caer, es importante cargarlo en posición horizontal.

**SISTEMA DE FILTRACION**

El sistema de filtración de 5 etapas incluye: una bolsa de tela (que sirve como filtro), 1 filtro doble dentro del compartimento en el área de la bolsa de tela, y 1 filtro doble dentro de la parrilla de la parte de atrás del tanque. Los filtros protegen el motor de manera que no le entre polvo.

**ENSAMBLAJE Y OPERACION**

1. Conecte los tubos de extensión, la boquilla para el piso y la manguera.
2. Para conectar la manguera al tanque, alinee la manguera y empújela dentro de la lengüeta de seguridad. Introduzca la manguera en el tanque hasta que encaje en su lugar. Para retirarla, presione las lengüetas de seguridad de la manguera hacia adentro y hálela. Vea las figuras 1 y 2 en la página 14.
3. Después de haber ensamblado todas las partes, asegúrese que la bolsa y los filtros estén debidamente instalados. Vea la Sección de Instrucciones de Mantenimiento.
4. Hale el cordón y enchúfelo en el tomacorriente.
5. Presione el interruptor/pedal de Encendido/Apagado y comience a aspirar. Vea las figuras 5 y 7 en la página 14.
6. Ajuste el nivel deseado de succión para las diferentes superficies usando el regulador de succión. Vea la figura 6 en la página 14.
7. Presione el interruptor/pedal de Encendido/Apagado para apagar la aspiradora; presiónelo nuevamente para reasumir el funcionamiento.

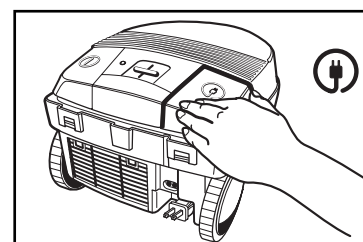
**INSTRUCCIONES DE MANTENIMIENTO**

Este artefacto requiere un pequeño mantenimiento. No contiene piezas que puedan ser reparadas por el usuario. No trate de repararlo usted mismo. Remítalo a personal calificado si fuera necesario servicio.

Siempre apague y desenchufe la unidad después de usarla. Enrolle el cordón presionando el interruptor/pedal del enrollador automático del cordón.

ADVERTENCIA:

- El cordón se mueve rápidamente cuando se está enrollando. Mantenga a los niños alejados y para evitar lesiones personales provéase de un espacioso lugar cuando lo esté enrollando.
- NO use los tomacorrientes de arriba del mostrador. Podría dañar los artículos que se encuentran alrededor.
- Desconecte los suministros eléctricos antes de darle servicio o limpiar la unidad. El no hacerlo podría resultar en un choque eléctrico o lesiones personales.

**INSTRUCCIONES DE LIMPIEZA****COMO LIMPIAR LA BOLSA**

Cuando la bolsa se llena, la luz indicadora se ilumina; verifique si la circulación de aire está bloqueada o si la bolsa está llena y necesita ser limpiada. Para mejores resultados en la limpieza, limpie la bolsa regularmente.

1. Apague y desenchufe la unidad del tomacorriente.
2. Presione y luego levante la cubierta de la caja.
3. Desenganche la bolsa de los anaqueles de montura halando el marco de plástico para soltarlo de las lengüetas de seguridad y deslizarla hacia afuera.
4. Retire el clip de plástico en la parte de arriba de la bolsa.

- Después de limpiarla, instale la bolsa. Asegúrese que los 2 agujeros en el marco de plástico estén hacia abajo y luego deslice el marco de plástico hasta que se asegure en su lugar. Meta hacia abajo el extremo posterior de la bolsa.

- Cierre la cubierta de la caja.

PRECAUCION

Materiales finos, tales como ambientadores para las alfombras, polvos para la cara, polvos finos o yeso pueden obstruir la bolsa y pueden hacer que ésta reviente antes de que se llene. Cambie la bolsa más a menudo cuando aspire estos materiales.

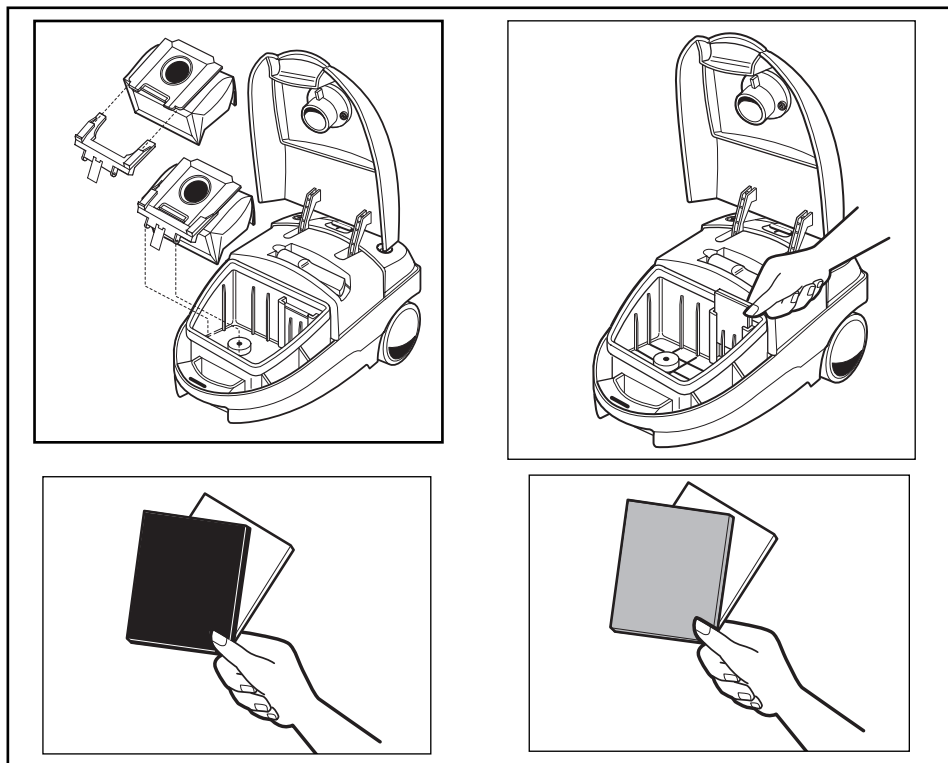
COMO LIMPIAR LA UNIDAD:

Limpie la caja, los tubos de extensión de metal y los accesorios con un paño húmedo y séquelos. Limpie la bolsa cuando esté llena. La protección del motor y los filtros de la salida de aire deben ser revisados, limpiados y reemplazados regularmente.

COMO CAMBIAR LOS FILTROS

- Apague la aspiradora y retire la bolsa de basura.
- Apriete los filtros suavemente y hálelos hacia afuera.
- Lávelos en agua tibia jabonosa, luego enjuáguelos y déjelos secarse al aire. Se debería reemplazar la goma espuma después de algunos lavados ya que pierde su habilidad para atrapar el polvo.
- Nuevamente coloque los filtros en el recipiente metálico.
- Inserte la bolsa de basura.

ADVERTENCIA: Nunca se debe funcionar la aspiradora sin que los filtros y la bolsa de basura estén correctamente instalados.



COMO GUARDAR LA UNIDAD:

Pare el tanque y deslice la boquilla para la alfombra y el piso en el sujetador de la boquilla. Ahora la unidad puede ser guardada en un lugar seco, fresco y seguro. NO coloque la unidad directamente bajo los rayos solares.

LOCALIZACIÓN DE PROBLEMAS Y AVERÍAS

PROBLEMA	CAUSAS POSIBLES	SOLUCIONES POSIBLES
La aspiradora no arranca	No está enchufada	Enchufarla con firmeza y oprimir el interruptor del encendido/apagado para encenderla.
No aspira el polvo con eficacia	<ol style="list-style-type: none"> Bolsa de basura llena u obstruida El pasaje del aire se encuentra obstruido El filtro de seguridad del motor está sucio El control de succión está abierto Algún agujero en la manguera La cubierta del recipiente metálico está abierta 	<ol style="list-style-type: none"> Limpie la bolsa de basura. Limpie el pasaje del aire. Limpie el filtro. Ajuste el control de succión. Reemplace la manguera. Cierre y asegure la cubierta.
La aspiradora se enciende se interrumpe	Las conexiones eléctricas se han aflojado	Compruebe las conexiones eléctricas y asegure que la máquina está bien enchufada.
Centellea el indicador de la bolsa llena	<ol style="list-style-type: none"> Bolsa de basura llena u obstruida El filtro de seguridad del motor está sucio El pasaje del aire está obstruido 	<ol style="list-style-type: none"> Limpe la bolsa de basura. Limpie el filtro. Elimine la obstrucción del pasaje del aire.
El cable no se puede enrollar	<ol style="list-style-type: none"> El cable de conexión está sucio El cable se atoró 	<ol style="list-style-type: none"> Limpie el cable de conexión. Tire de todo el cable de conexión hacia afuera y vuelva a enrollarlo.

¿NECESITA AYUDA?

Cualquier servicio de ser necesario, deberá realizarse por un centro de servicio autorizado o propio de Household Products, Inc. Puede encontrar el centro de servicio más cercano a usted, buscando en las páginas amarillas de la guía telefónica.

Si envía por correo la arepera, empáquela con cuidado en un cartón resistente con suficiente material de empaque para evitar cualquier daño. Por favor incluya una nota para nuestro centro de servicio describiendo el problema. No se olvide de anotar su dirección y su número telefónico. Para su propia protección le sugerimos enviar el paquete asegurado.

UN AÑO DE GARANTÍA

Household Products, Inc. garantiza este producto contra cualquier defecto originado por fallas en los materiales o en la mano de obra por un periodo de un año a partir de la fecha original de compra. Esta garantía no incluye daños al producto ocasionados por accidentes, mal uso, ni como resultado de reparaciones efectuadas por personas no autorizadas. Si el producto resulta con defectos dentro del periodo de garantía, conforme sea necesario, lo repararemos o reemplazaremos libre de cargo. Para que esta garantía sea válida debe presentar el producto con su recibo de compra y la tarjeta de garantía. Esta garantía le otorga derechos específicos, y usted podría tener otros que pueden variar en su país. Si tiene alguna pregunta, comuníquese con una sucursal o centro de servicio más cercano autorizado por Household Products, Inc.

Favor consultar la dirección de su servicentro más cercano

ARGENTINA Avenida Maipu 3850 1636 Olivos, Buenos Aires Tel.: 0-800-8-1221	588-93-77 • VERACRUZ Prolongación Díaz Mirón #4280 (entre Violetas y Magnolias) Col. Remes 91920 Veracruz, Ver. Tel.: (91-29) 21-70-16 • PUEBLA 17 Norte #205 72000 Puebla, Pue Tel.: (91-22) 46-37-26 • TORREÓN Blvd. Independencia 95 Pte. 27000 Torreón, Coal Tel.: (91-17) 16-52-65 • MÉRIDA Calle 63 #459-A (entre 50 y 52) 97000 Mérida, Yuc. Tel.: (91-99) 23-54-90 • COATZACOALCOS Corregidora #406 96400 Coatzacoalcos, Ver. Tel.: (91-92) 12-13-80 • GUADALAJARA Av. Vallarta #4901-A Col. Prados Vallarta 45020 Zapopan, Jal. Tel.: (91-36) 73-28-15 • QUARÉTARO Av. Madero 139, Pte. 76000 Querétaro, Qro. Tel.: (91-42) 14-16-60 • SAN LUÍS POTOSÍ Pedro Moreno #100 Col. Centro 78000 San Luis Potosí, S.L.P.	Tel.: (91-48) 14-25-67 • VILLAHERMOSA Av. Constitución #516-A 86000 Villahermosa, Tabasco Tel.: (91-93) 12-51-11 • MONTERREY Av. Fco. I. Madero Pte. 1820-AA Zona Centro 64000. Monterrey, N.L. Tel.: (91-83) 72-14-76 • CULIACÁN Av. Nicolás Bravo #1063 80000 Culiacán, Sin. Tel.: (91-57) 12-42-10 PANAMA Via Brazil y Ave. Samuel Lewis #31 Ciudad de Panama Tel.: 507-264-2243 PERU Calle Omega 225-231 Parque Industrial Caltao 1 Lima Tel.: 511-451-9505 PUERTO RICO Calle C#14 Rexco Industrial Park Caparra Heights Station San Juan, P.R. 00334 Tel.: 1-800-347-5117 VENEZUELA Edif. Xerox, Piso 6 Av. Libertador, Urb. Bello Campo Caracas Tel.: 582-267-0590
---	---	---

IMPORTANTES MEDIDAS DE SEGURANÇA

- **LEIA ESTE MANUAL ANTES DE MONTAR OU USAR O ASPIRADOR DE PÓ.**
- Use o aspirador só da maneira como está descrito neste manual. Use só acessórios recomendados pela SMC.
- A fim de reduzir riscos de choques elétricos, não use-o ao ar livre, ou em superfícies molhadas.
- Desconecte o aparelho da tomada antes de abri-lo ou de limpar a área das escovas. A omissão desta providência pode resultar em choque elétrico ou na ativação repentina das escovas.
- Desligue sempre o aparelho antes de conectar ou desconectar a mangueira ou a escova elétrica.
- Desligue sempre o aspirador antes de removê-lo da tomada.
- Não tire-o da tomada puxando pelo cabo. Para removê-lo da tomada, segure pelo plugue, não pelo cabo.
- Segure pelo plugue quando recolher o cabo, rebobinando-o no carretel. Não deixe que o plugue fique solto quando estiver enrolando o cabo.
- Não use o aparelho se estiver com o cabo ou o plugue danificados. Se o aspirador não estiver funcionando como deve, se ele caiu, foi danificado, deixado fora de casa, ou caiu dentro da água, leve-o imediatamente para manutenção.
- Não use o cabo para puxar o aparelho e não arraste o cabo em lugares cortantes ou cantos vivos.
- Não passe o limpador funcionando em cima do cabo. Mantenha o cabo afastado de superfícies quentes.
- Não deixe que o aparelho seja usado como brinquedo. É preciso cuidado quando o aparelho for usado por crianças ou perto delas.
- Não manuseie o plugue ou o aspirador com mãos molhadas.
- Não opere o aspirador com a mangueira furada. Substitua a mesma se estiver cortada ou gasta.
- Conserve o aparelho livre de pó, fios, cabelo, ou qualquer coisa que possa reduzir a entrada de ar.
- Mantenha o cabelo, roupas soltas, os dedos e todas as partes do corpo afastadas das aberturas e dos componentes móveis.
- Não use o aspirador sem saco para pó e sem os filtros no lugar. Sempre limpe o saco para pó após aspirar tapetes e carpetes tratados com produtos de limpeza ou pós restauradores e poeiras finas. Esses produtos entopem o saco para pó, reduzem o fluxo de ar e podem fazer o saco se romper. A falta de substituição do saco pode causar dano permanente ao aspirador.
- Não use o aparelho para aspirar objetos pontiagudos, duros, pequenos brinquedos, alfinetes, papel, etc. Eles podem danificar o aspirador ou o saco para pó.
- Não aspire nada que esteja queimando ou com fumaça, como cigarros, fósforos ou cinzas quentes.

■ Não use o aparelho para aspirar líquidos inflamáveis ou combustíveis (gasolina, fluidos de limpeza, perfumes, etc.), ou o use em áreas onde esses produtos podem estar presentes. Os gases dessas substâncias podem criar perigo de fogo ou explosão.

■ Tome um cuidado extra quando estiver aspirando em escadas. Não coloque o aparelho sobre cadeiras, mesas, etc. Mantenha-o no chão.

■ Você é responsável por certificar-se que seu aspirador não vai ser usado por alguém incapaz de operá-lo devidamente.

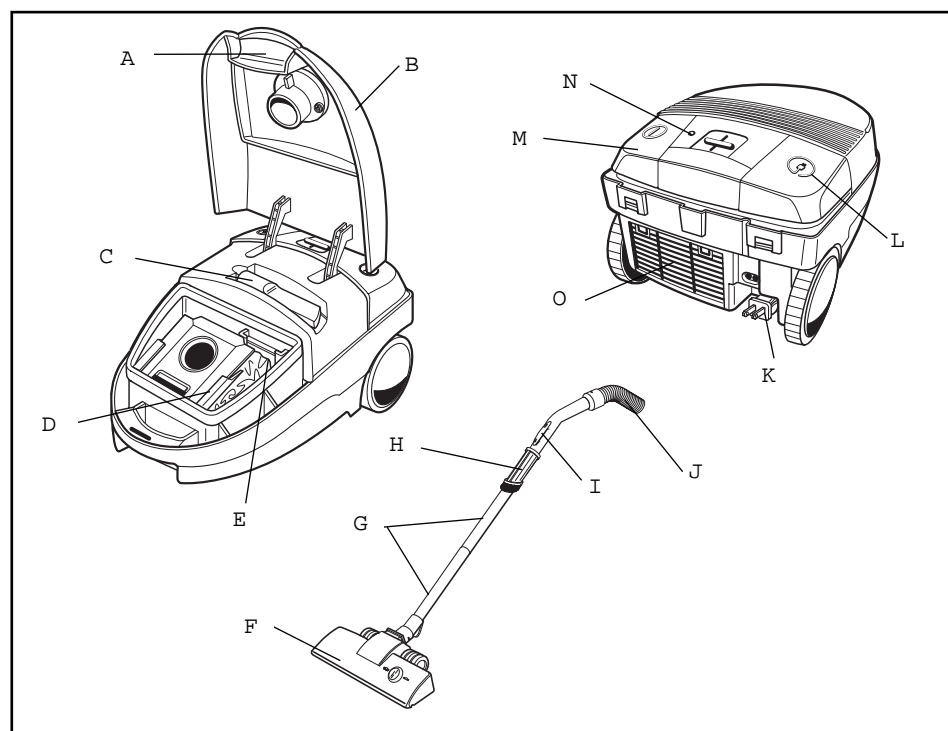
GUARDE ESTAS INSTRUÇÕES

PEÇAS E CARACTERÍSTICAS

NOTA: LEIA ESTE MANUAL ANTES DE USAR O ASPIRADOR DE PÓ

LISTA DE VERIFICAÇÃO:

- Tanque
- Mangueira com cabo do bocal
- 2 tubos metálicos, de extensão
- Bocal aspirador para carpete/chão
- 1 saco para pó, de pano
- 2 filtros duplos
- Acessório para aspiração em fendas
- Acessório para aspiração com escova
- Tira de ombro
- Cartão de garantia e formulário de pedido por correio



1. Desengate da tampa
2. Tampa do tanque
3. Acessório para aspiração em fendas
4. Suporte do saco para pó
5. Filtro duplo (interior)
6. Bocal aspirador para carpete/chão
7. Tubos metálicos, de extensão
8. Escova de remoção de pó
9. Regulador de aspiração
10. Mangueira conectada ao cabo do bocal
11. Cabo e plugue de força
12. Rebobinador automático do cabo
13. PPedal do interruptor do motor, liga/desliga (On/Off)
14. Lâmpada indicadora de saco para pó cheio
15. Filtro duplo (dentro)

MODO DE USAR

Este aparelho é SOMENTE PARA USO DOMÉSTICO e deve ser ligado a uma tomada elétrica de de corrente alternada (tomada normal de residência), conforme o caso.

DICAS DE SEGURANÇA COM O CABO DE FORÇA

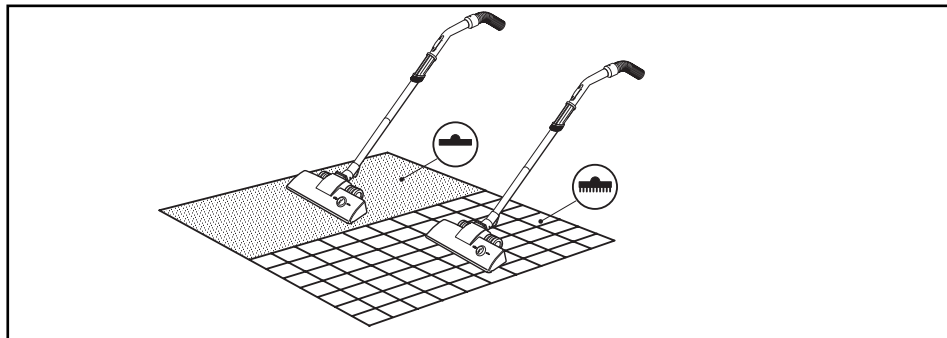
1. Nunca estique ou puxe o cabo do aparelho.
2. Para colocar na tomada, pegue firmemente no plugue e insira na tomada.
3. Para desconectar o aparelho, pegue pelo plugue e retire da tomada.
4. Antes de cada uso, verifique se o cabo tem cortes e/ou marcas de desgaste. Se houver, o aparelho deve ser levado para troca do cabo, entregando-o ao nosso Departamento de Atendimento ou a um representante de serviço autorizado.
5. Nunca enrole o cabo apertado ao redor do aparelho, pois isto pode forçar o cabo onde ele entra no aparelho a esgarçar e quebrar.

NÃO OPERE O APARELHO SE O CABO DE FORÇA APRESENTAR QUALQUER DANO, OU SE O APARELHO FUNCIONA INTERMITENTEMENTE OU PÁRA SEM TER SIDO DESLIGADO.

Se o cabo que acompanha estiver danificado, deve ser substituído pelo fabricante ou pelo seu agente representante, ou por pessoa qualificada, a fim de evitar riscos.

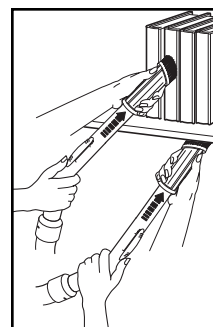
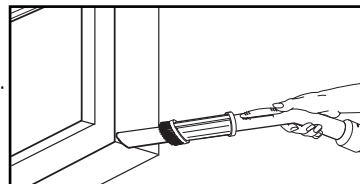
COMO USAR O BOCAL DE CARPETE/CHÃO

O bocal de carpete/chão é feito para estar em constante contato com as superfícies a serem aspiradas e para facilitar a limpeza por baixo dos móveis. Aperte o interruptor do bocal de carpete/chão para limpeza em superfícies lisas ou em assoalhos com carpete.



COMO USAR O ACESSÓRIO ESCOVA REMOVEDORA DE PÓ

1. Instale a escova no cabo do bocal, enfiando-a até que o engate a prenda na posição.
2. Para aspirar com o cabo do bocal, puxe de volta a escova removedora de pó. Use o cabo do bocal para aspirar rodapés, radiadores e outras lugares de difícil acesso.
3. Para aspirar com a escova removedora de pó, deslize a escova para baixo e direcione-a na posição apropriada para aspirar poltronas, cadeiras e prateleiras.

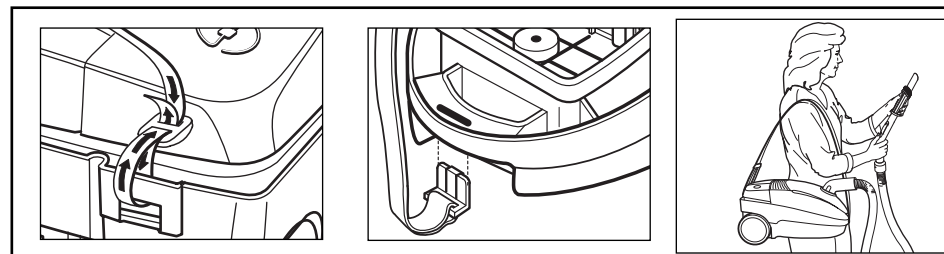


COMO USAR O ACESSÓRIO PARA FENDAS

Inserir o cabo do bocal no acessório para fendas. Use este acessório para aspirar canaletas de portas de correr.

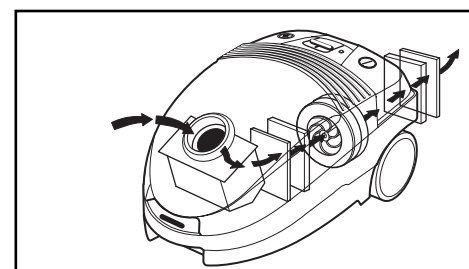
COMO USAR A TIRA DE OMBRO

O tanque do aspirador pode também ser carregado usando-se a tira de ombro, ajustando os grampos da tira ao redor do corpo. Para evitar que a unidade caia, é importante carregar o aspirador de pó numa posição horizontal.



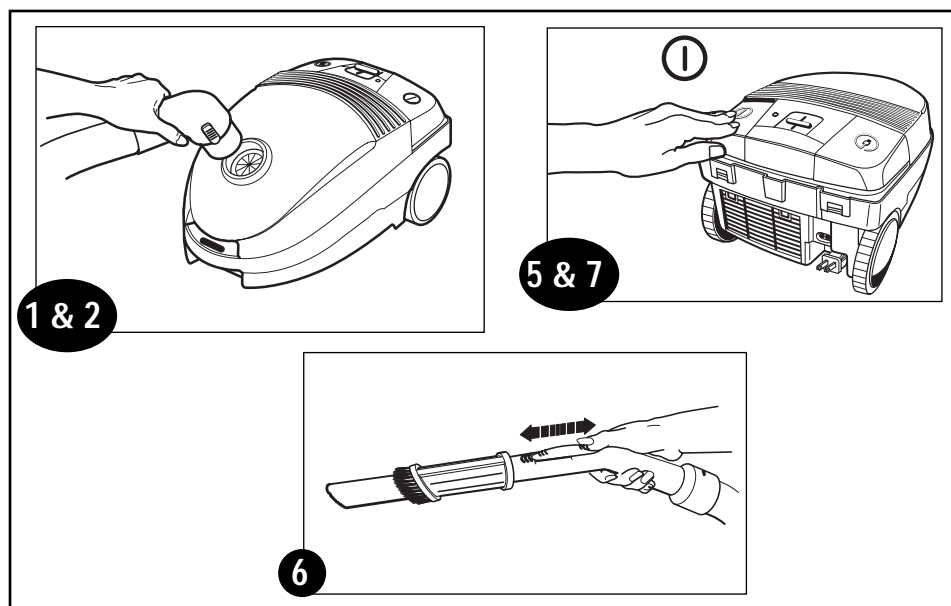
SISTEMA DE FILTRAGEM

O sistema de filtragem de 5 estágios inclui: um saco de pano para pó (que serve como filtro), 1 filtro duplo interior, na área do saco de pano para pó e um filtro duplo dentro da grade posterior do tanque. Os filtros protegem o motor para que não entre poeira nele.



MONTAGEM E OPERAÇÃO

1. Conectar os tubos de extensão de metal, o bocal de chão e a mangueira.
2. Para ligar a mangueira ao tanque, coloque-a na posição e aperte o fecho. Empurre a mangueira para dentro do tanque, até que ele se encaixe no lugar. Para remover, aperte os fechos da mangueira para dentro e puxe a mangueira para fora. Ver figuras 1 e 2 na página 23.
3. Após montar todas as partes, certifique-se que o saco para pó e os filtros estejam bem instalados. Consulte a seção Instruções de Manutenção.
4. Puxe o cabo de força para fora e plugue-o a uma tomada.
5. Aperte o interruptor / pedal de força e comece a aspirar o pó. Ver figuras 5 e 7 na página 23.
6. Ajuste o nível de aspiração desejado para os diferentes tipos de superfície, usando o regulador de sucção. Ver figura 6 na página 23.
7. Aperte o interruptor / pedal para desligar o aspirador de pó; aperte-o novamente para recomear.



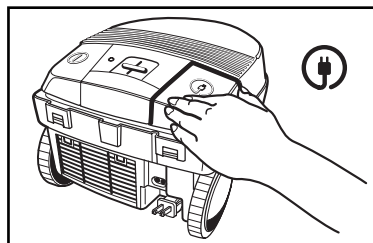
INSTRUÇÕES DE MANUTENÇÃO

Este aparelho exige pouca manutenção. Não contém peças que devam ser consertadas pelo usuário. Não tente consertar o aparelho você mesmo. Se necessitar de reparos, leve-o a pessoa qualificada

Desligue sempre e remova da tomada após o uso. Rebobine o cabo, pressionando o interruptor / pedal rebobinador de cabo

ADVERTÊNCIA:

- TO cabo se move rapidamente quando está rebobinando. Mantenha as crianças afastadas e verifique que o caminho percorrido pelo cabo esteja livre quando está rebobinando, para evitar que alguém seja ferido.
- NÃO use tomadas que estão acima dos balcões. Os itens ao redor delas podem ser danificados.
- Desligue a unidade da tomada antes de abri-la ou limpá-la. Se não o fizer, pode resultar em choque elétrico ou ferimento



INSTRUÇÕES DE LIMPEZA

COMO LIMPAR O SACO PARA PÓ

Sempre que acender a lâmpada indicadora de que o saco para pó está cheio, verifique se o fluxo de ar está bloqueado, ou se ele está cheio e precisa ser limpo. Para melhor desempenho na aspiração, limpe o saco para pó regularmente.

1. Desligue o aparelho e remova-o da tomada.
2. Solte o engate e levante a tampa do tanque.
3. Desencaixe o saco para pó do suporte, puxando para cima a armação de plástico, para soltá-lo do encaixe, e puxe-o para fora.

4. Tire o grampo de plástico do topo do saco para pó.
5. Após a limpeza, instale o saco para pó. Certifique-se que os dois furos na armação de plástico estão virados para baixo e empurre a armação de plástico para dentro, até que ela se encaixe no lugar. Enfie a parte posterior do saco para pó para baixo.
6. Feche a tampa do tanque.

ATENÇÃO

- Materiais finos, como produtos de limpeza de carpete, pós restauradores e gesso podem entupir o saco para pó e estourá-lo antes que esteja cheio. Limpe o saco com mais frequência quando estiver aspirando esses materiais.

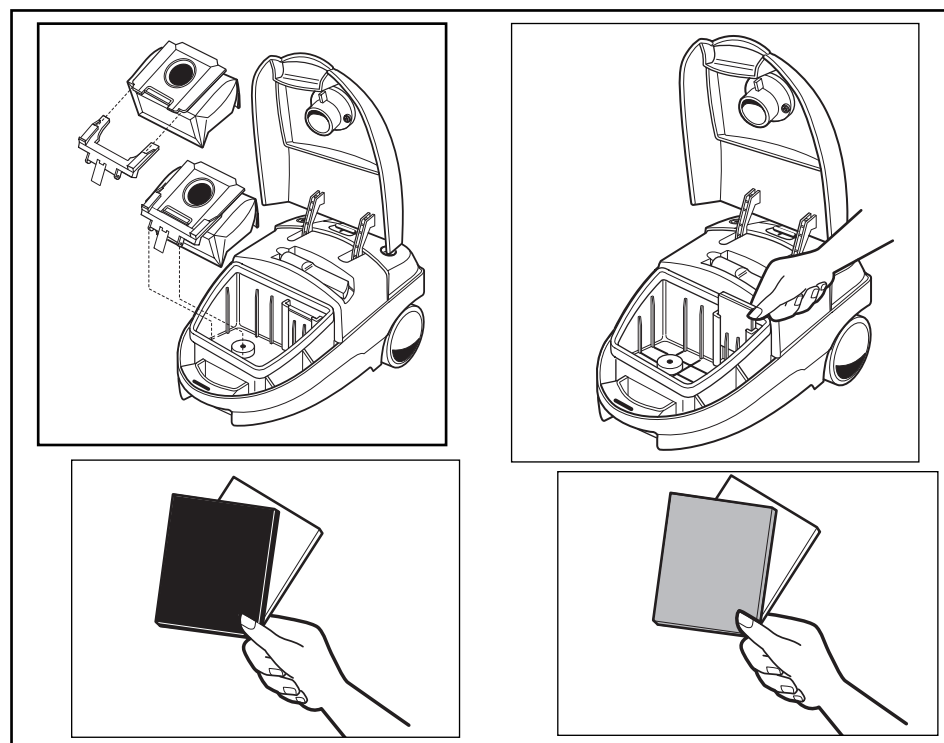
COMO LIMPAR O APARELHO:

Limpe o exterior do aparelho, os tubos metálicos de extensão e os acessórios com um pano úmido e seque-os. Limpe e remova a poeira do saco para pó, sempre que estiver cheio. A proteção do motor e os filtros de saída de ar devem ser verificados, limpos e recolocados regularmente.

COMO TROCAR FILTROS

1. Desligue o aparelho e remova o saco para pó.
2. Segure os filtros gentilmente e puxe-os para fora.
3. Lave os filtros em água morna e sabão, em seguida enxágüe e seque. (Substitua a espuma após umas quantas lavadas, pois ela perde a habilidade de atrair poeira.)
4. Substitua o filtro no tanque.
5. Instale o saco para pó.

ADVERTÊNCIA: Não opere a unidade sem antes instalar devidamente os filtros e o saco para pó.



GUARDA DO APARELHO:

Coloque o tanque virado para cima e enfie a ponta do bocal para carpete / chão no encaixe correspondente. Agora, o aparelho pode ser levado a um local seco, fresco e seguro, para ser guardado. NÃO o deixe sob a luz direta do sol.

LOCALIZAÇÃO DE DEFEITOS

PROBLEMA	POSSÍVEL CAUSA	SOLUÇÃO POSSÍVEL
O aspirador não liga	Não está ligado na tomada	Coloque-o na tomada e aperte o interruptor / pedal (On/Off).
Pouca força de sucção	<ol style="list-style-type: none"> 1. Saco para pó está cheio ou entupido 2. Passagens do fluxo de ar estão entupidadas 3. Filtro de segurança do motor está sujo 4. Controle de sucção está aberto 5. Mangueira está furada 6. Tampa do tanque está aberta 	<ol style="list-style-type: none"> 1. Limpar o saco para pó. 2. Limpar as passagens do fluxo de ar. 3. Limpar o filtro. 4. Ajustar o controle. 5. Substituir a mangueira. 6. Fechar e trancar a tampa.
O Aspirador começa a funcionar, mas pára	Há perda da ligação elétrica	Verifique as ligações elétricas e enfie o plugue na tomada.
A lâmpada indicadora de saco para pó cheio acende.	<ol style="list-style-type: none"> 1. Saco para pó está cheio ou entupido 2. Filtro de segurança do motor está sujo 3. Passagens do fluxo de ar estão bloqueadas 	<ol style="list-style-type: none"> 1. Limpar saco para pó. 2. Limpar o filtro. 3. Limpar bloqueios.
O cabo não rebobina.	<ol style="list-style-type: none"> 1. Cabo de força está sujo 2. O cabo está enroscado 	<ol style="list-style-type: none"> 1. Limpar o cabo de força. 2. Puxar o cabo para fora e rebobinar.

PRECISA DE AJUDA?

O serviço técnico, se necessário, deve ser feito por Household Products, Inc., ou pelo Centro Autorizado de Serviços Técnicos de Aparelhos Domésticos. O Centro de Serviços mais perto de você pode ser encontrado nas páginas amarelas de seu guia telefônico, sob o título "Aparelhos Domésticos - Pequenos".

Se você enviar seu aparelho por correio ou por frete, embale-o com cuidado em papelão forte com bastante enchimento para prevenir danos. Inclua um bilhete descrevendo o problema para nosso Centro de Serviços Técnicos e certifique-se que colocou seu endereço para retorno. Sugerimos que você faça seguro do pacote, para sua proteção.

UM ANO DE GARANTIA

A Household Products garante este produto contra quaisquer defeitos devidos a falhas de material ou mão de obra, pelo período de um ano a partir da data original da compra pelo cliente. Esta garantia não inclui danos ao produto resultantes de acidente ou uso impróprio, ou reparos feitos por oficinas não autorizadas. Se o produto ficar defeituoso dentro do período de garantia, nós faremos o conserto ou substituiremos a unidade, a nosso critério, sem custo. Para honrar esta garantia, exige-se que o produto venha acompanhado do respetivo cartão de registro e a nota de compra. Esta garantia lhe dá direitos legais específicos e talvez você tenha direito a outros direitos, que podem variar de estado para estado. Para maiores informações, contate a Household Products, Inc. mais próxima, ou o Centro Autorizado de Serviços Técnicos de Aparelhos Domésticos.

Para informações sobre o centro de serviços técnicos mais próximo, favor consultar o endereço abaixo.

ARGENTINA Avenida Maipu 3850 1636 Olivos, Buenos Aires Tel.: 0-800-8-1221	• VERACRUZ Prolongación Días Mirón #4280 (entre Violetas y Magnolias) Col. Remes 91920 Veracruz, Ver. Tel.: (91-29) 21-70-16	• VILLAHERMOSA Av. Constitución #516-A 86000 Villahermosa, Tabasco Tel.: (91-93) 12-51-11
COLOMBIA Carrera 38 No. 166-64 Santa Fe de Bogota Tel.: 571-677-7496	• PUEBLA 17 Norte #205 72000 Puebla, Pue Tel.: (91-22) 46-37-26	• MONTERREY Av. Fco. I. Madero Pte. 1820-AA Zona Centro 64000. Monterrey, N.L. Tel.: (91-83) 72-14-76
COSTA RICA Calle 20 entre Avenida 1 y 3 San José Tel.: 506-221-6100	• TORREÓN Blvd. Independencia 95 Pte. 27000 Torreón, Coal Tel.: (91-17) 16-52-65	• CULIACÁN Av. Nicolás Bravo #1063 80000 Culiacán, Sin. Tel.: (91-57) 12-42-10
CHILE Agustinas 2718 Santiago Tel.: 562-687-1700	• MÉRIDA Calle 63 #459-A (entre 50 y 52) 97000 Mérida, Yuc. Tel.: (91-99) 23-54-90	PANAMA Via Brazil y Ave. Samuel Lewis #31 Ciudad de Panama Tel.: 507-264-2243
ECUADOR Manuel Larrea 726 y Bogota Quito Tel.: 593-256-8551	• COATZACOALCOS Corregidora #406 96400 Coatzacoalcos, Ver. Tel.: (91-92) 12-13-80	PERU Calle Omega 225-231 Parque Industrial Caltao 1 Lima Tel.: 511-451-9505
EL SALVADOR 27 Calle Poniente y 25 Ave. Norte No. 1510 San Salvador Tel.: 503-226-0022	• GUADALAJARA Av. Vallarta #4901-A Col. Prados Vallarta 45020 Zapopan, Jal. Tel.: (91-36) 73-28-15	PUERTO RICO Calle C#14 Rexco Industrial Park Caparra Heights Station San Juan, P.R. 00334 Tel.: 1-800-347-5117
GUATEMALA 6 Ave. 12-27 Zona 9 Ciudad de Guatemala Tel.: 502-232-5705	• QUARÉTARO Av. Madero 139, Pte. 76000 Querétaro, Qro. Tel.: (91-42) 14-16-60	VENEZUELA Edif. Xerox, Piso 6 Av. Libertador, Urb. Bello Campo Caracas Tel.: 582-267-0590
MÉXICO Lázaro Cárdenas #18 Col. Obrera Delegación Cuatémoc 06800 México, D.F. Tel.: 91-800-50-833 588-93-77	• SAN LUIS POTOSÍ Pedro Moreno #100 Col. Centro 78000 San Luis Potosí, S.L.P. Tel.: (91-48) 14-25-67	

Listed by Underwriters Laboratories, Inc.
NOM Approved
Copyright © 2000 Household Products, Inc.
Pub. No. 175312-01-RV00

Enlistado por Underwriters Laboratories, Inc.
Aprobado por NOM
Copyright © 2000 Household Products, Inc.
Pub. No. 175312-01-RV00

Listado por Underwriters Laboratories, Inc.
Aprovado por NOM
Copyright © 2000 Household Products, Inc.
Pub. No. 175312-01-RV00



Printed in/Impreso en/Impresso em Hong Kong

